

SPECIFICATION FOR APPROVAL

CUSTOMER :

CUSTOMER PART NO:

SUPPLIER: JIAXING GLEAD ELECTRONICS CO.,LTD.



SUPPLIER PART NO: JLCL-S383-H1

DESCRIPTION: GPS/BEIDOU/GLONASS/38dB/30mA/TNC-K

REMARKS:

Customer Signature :	Customer Seal:
-----------------------------	-----------------------

Supplier Signature:	Supplier Seal :
----------------------------	------------------------

NOTE: Please return this copy as a certification of your approval!

Prepared by: Ren Shugang	Formed On: 2016.11.10	Add	No.66 ZhengyuanRoad,Tanghui Industrial Zone, Jiaxing, Zhejiang, China
		Tel	+86-573-83651818
		Fax	+86-573-83651858

1、Electrical Characteristics

1.1 Patch Antenna

1	Antenna model	PTFE-1585 (ϕ 75*4mm)
2	Frequency Range	Beidou: B1; GPS: L1; Glonass: G1 1559 - 1610MHz
3	V.S.W.R	2.0:1
4	Impedance	50 Ω
5	Gain	4.5dBic
6	Polarization	RHCP

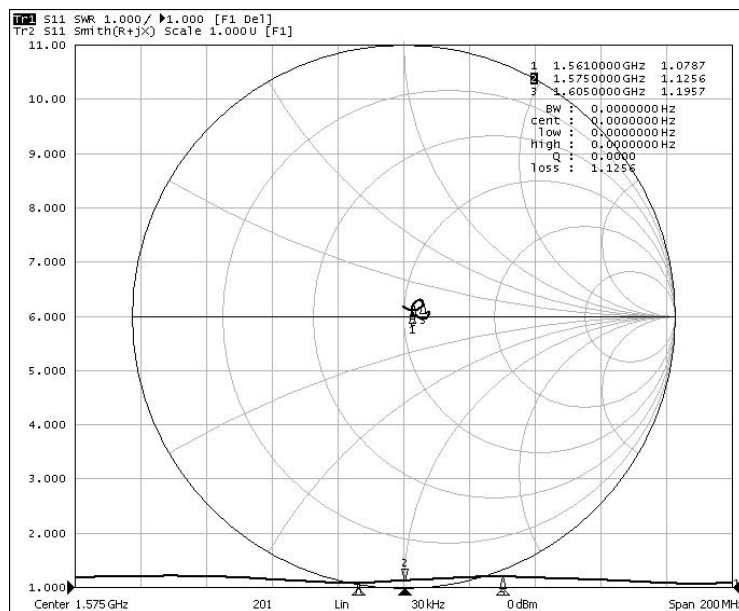
1.2 LNA

1	Frequency Range	Beidou: B1; GPS: L1; Glonass: G1 1559 - 1610MHz
2	DC Voltage	3.0-15.0V
3	Gain	38 \pm 3dB
4	Out band Rejection (Absolute value)	\geq 25dB(f0+100MHz)
		\geq 40dB(f0-100MHz)
5	Output VSWR (MAX)	2.0
6	Noise Figure(MAX)	1.5
8	DC current	\leq 30mA (13mA@3.3V)

1.3 Overall (Complete module including RF connector)

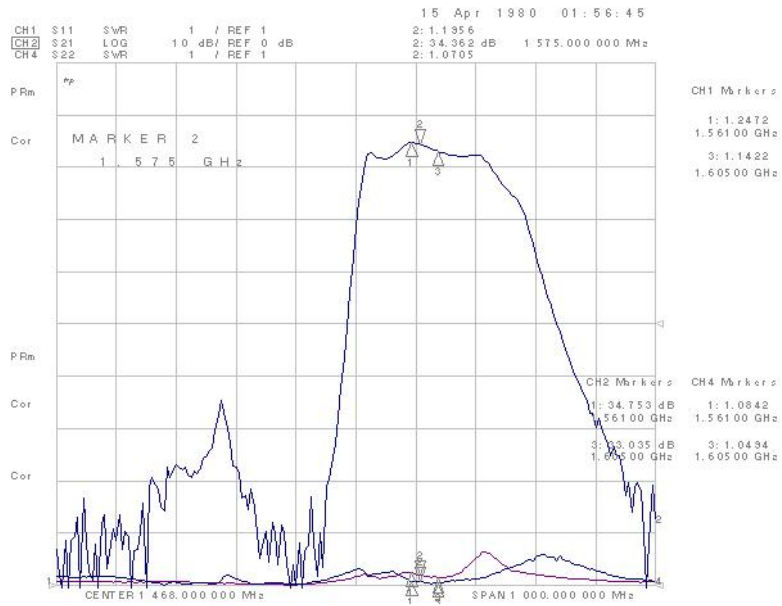
1	Frequency Range	B1/L1/G1
2	Output (VSWR)	2.0
3	Impedance	50 Ω

2、Patch Antenna Test Curve



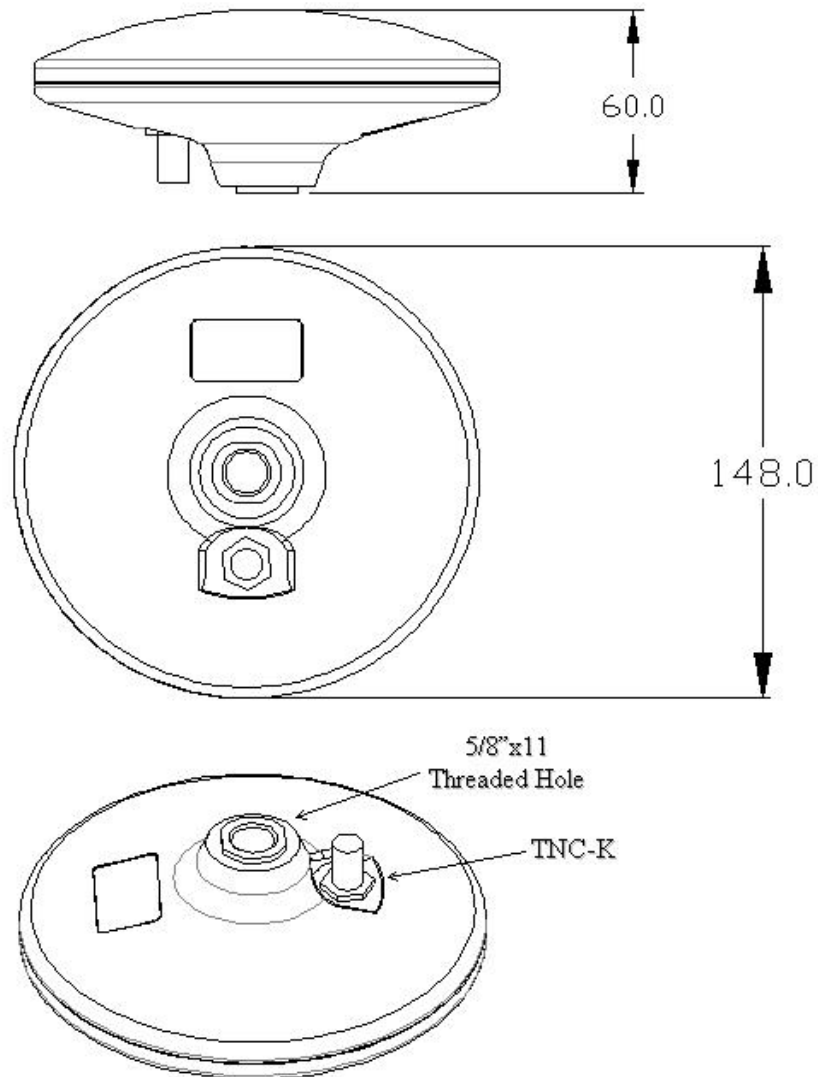
PASSIVE ANTENNA : VSWR \leq 2.0

3、LNA Test curve



Test condition: DC 3.3V

4、Structure (unit: mm)



5、Material

No	Part Name	SPEC
1	Antenna	PTFE F4B-1/2
2	PCB	FR4
3	Shielding	Tinplate
4	RF Cable	RG174
5	RF Connector	TNC-K
6	Plastic shell	ABS

6、Environment Condition

1	Working Temp	-40℃~+80℃
2	Storage Temp	-40℃~+85℃
3	Vibration	Sine sweep 1g(0-p)
		10~55~10Hz each axis
4	ESD Protection	+/- 6kv (direct discharge) and +/- 8kv (air discharge)

7、Packing (If there are other customers packaging requirements specified in the order)

Each carton includes 6PCS antenna, Each case put 1PCS antenna, the size of carton is 630 * 460 * 105 mm.



NOET: Packing pictures, for reference.

8、Note

- 1、 This product specification guarantees the quality of our product as a single unit. Please make sure that your product is evaluated and confirmed against your specifications when our product is mounted to your product.
- 2、 The product will get free warranty for three months since the date of purchase users operate in the correct way; users will have to pay cost of the materials and maintaining fee out of the condition.
- 3、 Electrostatic sensitive device.Observe precautions for handling.